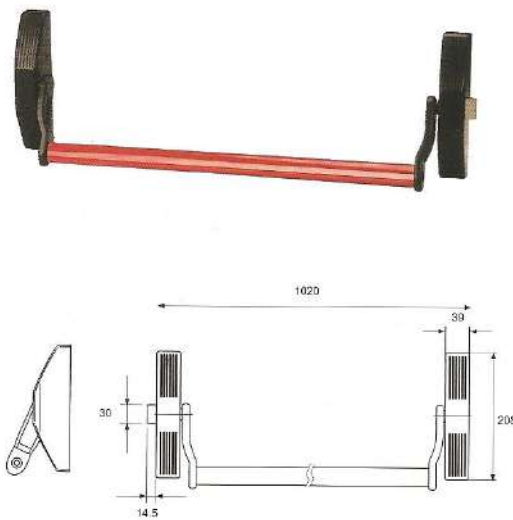


Rim Model No.DT-1700B exit door hardware- Push Bar



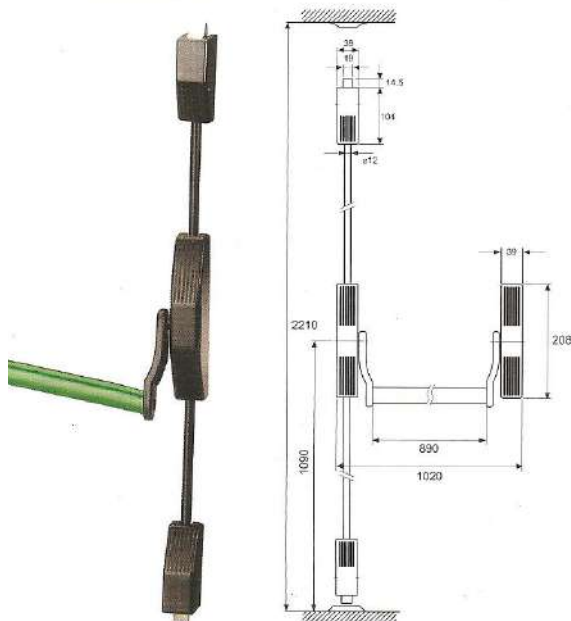
Certification UNE-EN 1125

3 7 6 1 1 4 2 2 A

- Non-handed
- A lateral lock point, Stainless steel or Zinc latch bolt
- The standard oval shape horizontal bar: 900mm.
- CE marked for safety
- Certified for use on the fire doors
- Assembly instructions and installation template



Vertical rod Model No.DT-1700C exit door hardware- Push Bar



Certification UNE-EN 1125

3 7 6 1 1 4 2 2 A

- Non-handed
- 2 locking points, upper one lower
- The standard height: 2210mm
- The standard oval shape horizontal bar: 900mm.
- CE marked for safety
- Certified for use on the fire doors
- Assembly instructions and installation template

